

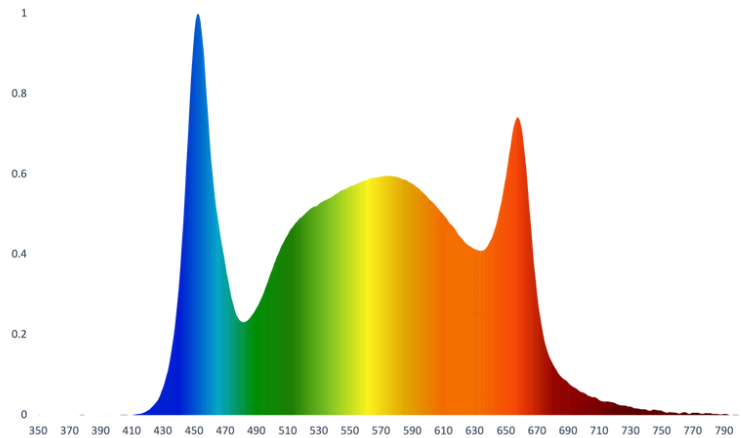
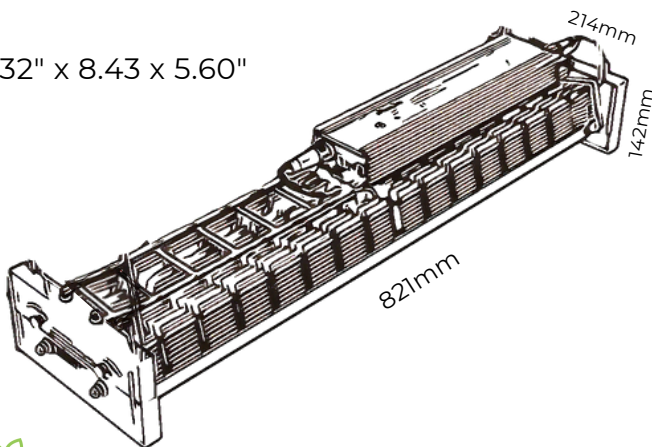


THE AELIUS 600G

The Aelius 600G is built with greenhouses in mind. Its tempered glass lens and robust aluminum frame allow it to withstand variable growing environments. A 150° beam angle paired with angle-adjustable light bars create an extremely versatile fixture with exceptional light uniformity in any application. It's the ideal retrofit for 600W HPS systems, offering the same light output with 30% less power.

FIXTURE DIMENSIONS

32.32" x 8.43 x 5.60"



THE XB SPECTRUM

The **XB Spectrum** is specifically designed for crops that require more blue than red light, encouraging compact growth and enhanced plant structure.



FIXTURE HIGHLIGHTS

MODEL	F-LN600GXB-LSN
EFFICACY (400-800nm)	3.0 $\mu\text{mol}/\text{J}$
PHOTON FLUX (400-800nm)	2100 $\mu\text{mol}/\text{s}$
POWER	600 W
VOLTAGE RANGE	120-480 V

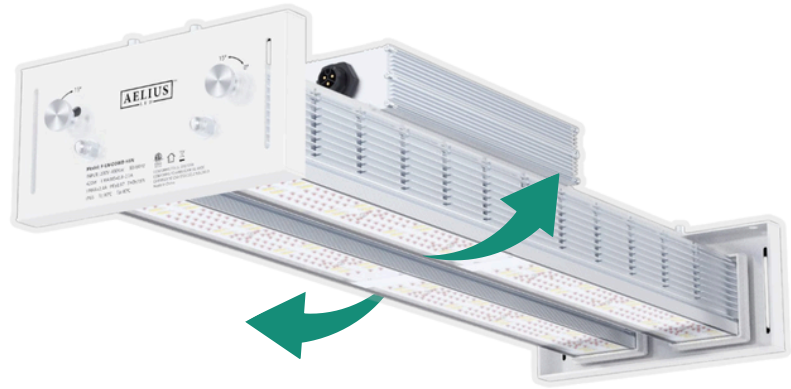


THE AELIUS600G

FIXTURE SPECIFICATIONS

FULL MODEL NAME	The Aelius 600G
HIGH VOLTAGE RANGE	200 - 480V
LOW VOLTAGE RANGE	120 - 277V
LIFETIME	L90 > 50,000hrs
LED OPTICS	150° Glass Lens
DIMMABLE	0-10V
FIXTURE POWER	600 W
POWER FACTOR	0.97
FREQUENCY	50/60Hz
THD @ 100% POWER	≤15%
WARRANTY PERIOD	5 Years
DAMP LOCATIONS	IP65
DRIVER	uPowerTek

(Fixture Mounted)



AELIUSTM
LED

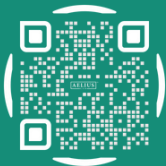
LET'S CONNECT



1-844-472-3389



sales@aeliusled.com

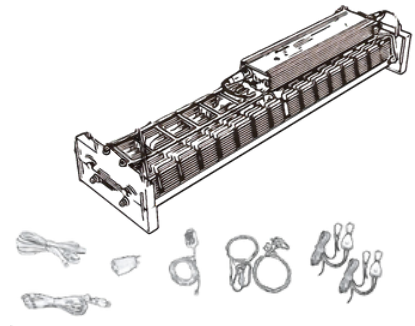


aeliusled.com

@aeliusled

INCLUDED IN BOX

LED Fixture
LED Driver
Power Cord
Daisy-Chain Data Cord
120V Adapter
Dimmer (If Applicable)
Hangers



WHAT'S ABOVE YOUR PLANTS?