

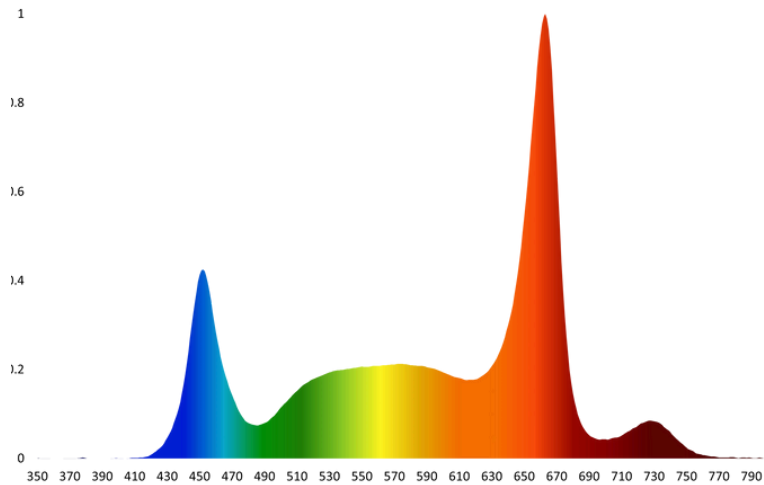
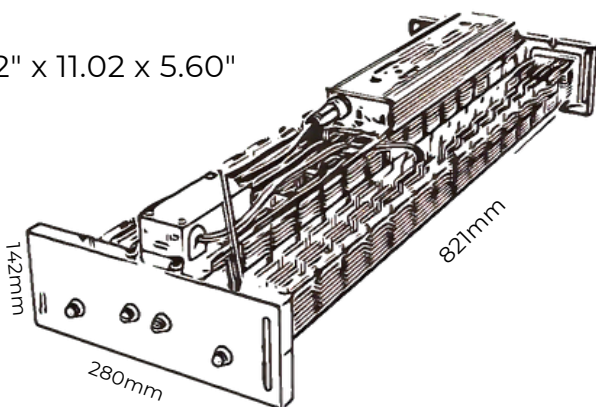


THE AELIUS 830G

The Aelius 830G is built with greenhouses in mind. Its tempered glass lens and robust aluminum frame allow it to withstand variable growing environments. A 150° beam angle paired with angle-adjustable light bars create an extremely versatile fixture with exceptional light uniformity in any application. It's the ideal retrofit for 800W HPS systems, offering the same light output with 30% less power.

FIXTURE DIMENSIONS

32.32" x 11.02 x 5.60"



THE REDD SPECTRUM

The **REDD Spectrum** is specially designed for flowering and greenhouse cultivation. With the right balance of blue and red rich light, you can expect to truly experience the genetic potential of your crop.

AELIUSTM
LED

FIXTURE HIGHLIGHTS

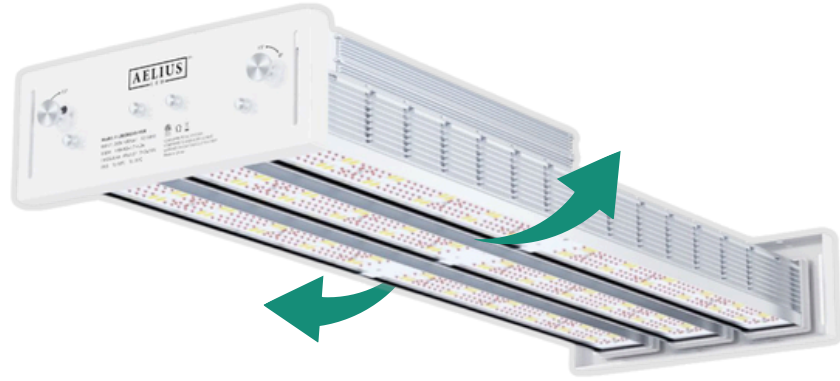
MODEL	F-LN830RED-LSN
EFFICACY (400-800nm)	3.0 $\mu\text{mol}/\text{J}$
PHOTON FLUX (400-800nm)	2905 $\mu\text{mol}/\text{s}$
POWER	830 W
VOLTAGE RANGE	120-480 V



THE AELIUS830G

FIXTURE SPECIFICATIONS

FULL MODEL NAME	The Aelius 830G
HIGH VOLTAGE RANGE	200 - 480V
LOW VOLTAGE RANGE	120 - 277V
LIFETIME	L90 > 50,000hrs
LED OPTICS	150° Glass Lens
DIMMABLE	0-10V
FIXTURE POWER	830 W
POWER FACTOR	0.97
FREQUENCY	50/60Hz
THD @ 100% POWER	≤15%
WARRANTY PERIOD	5 Years
DAMP LOCATIONS	IP65
DRIVER (Fixture Mounted)	uPowerTek



AELIUSTM
LED

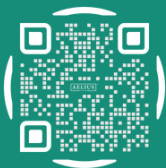
LET'S CONNECT



1-844-472-3389



sales@aeliusled.com

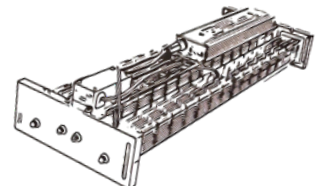


aeliusled.com

@aeliusled

INCLUDED IN BOX

LED Fixture
LED Driver
Power Cord
Daisy-Chain Data Cord
120V Adapter
Dimmer (If Applicable)
Hangers



WHAT'S ABOVE YOUR PLANTS?